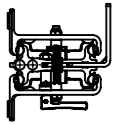
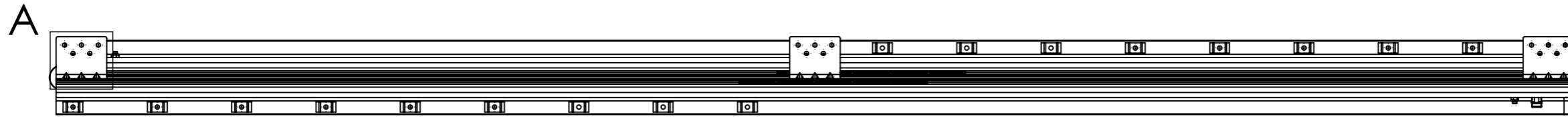
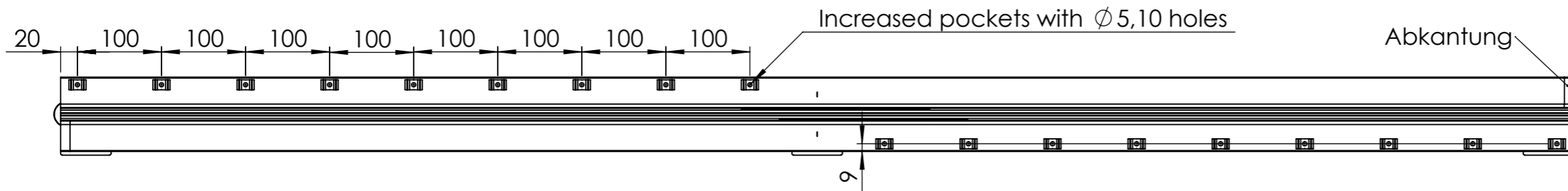
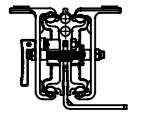
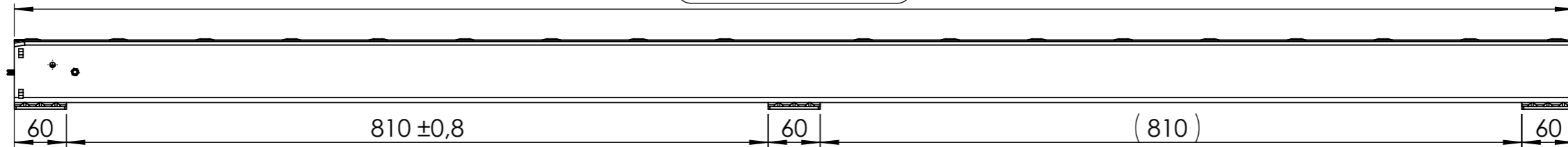


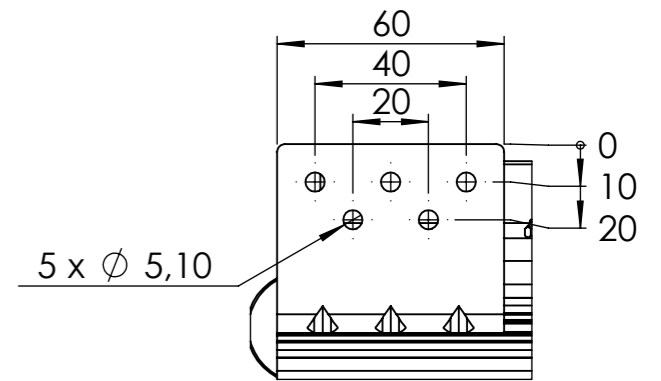
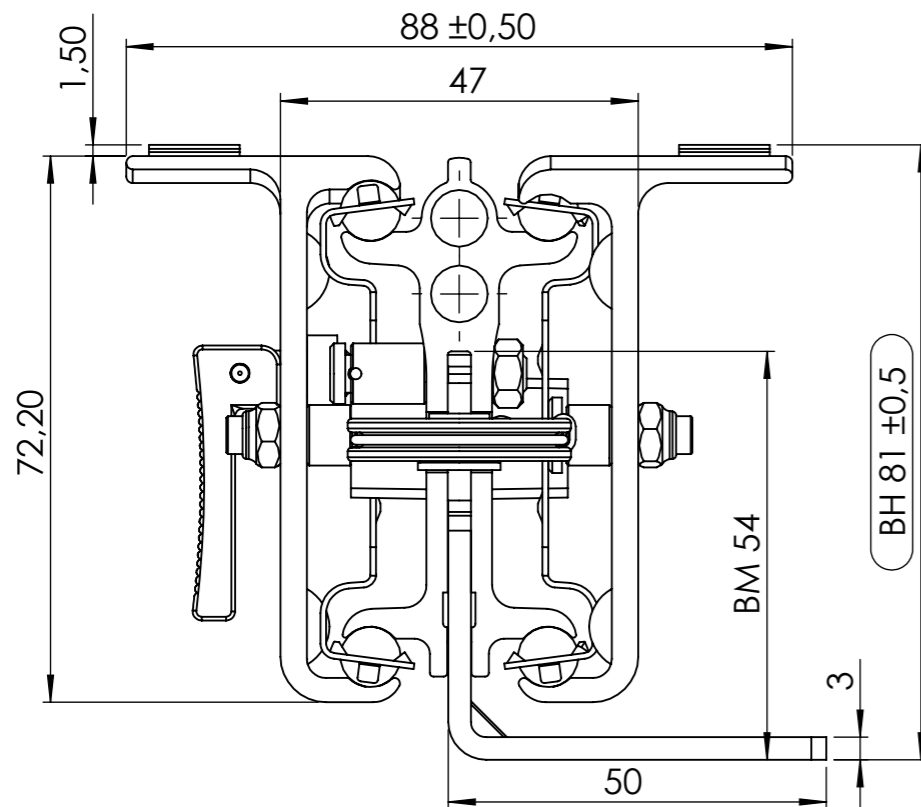
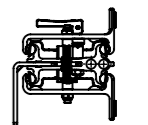
All property rights and rights to exploitation of copyright for this drawing data remain ours; they may not be made available to third parties without our consent.



AP+MP=1800.A7

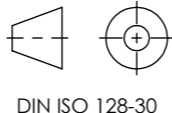



Abkantung



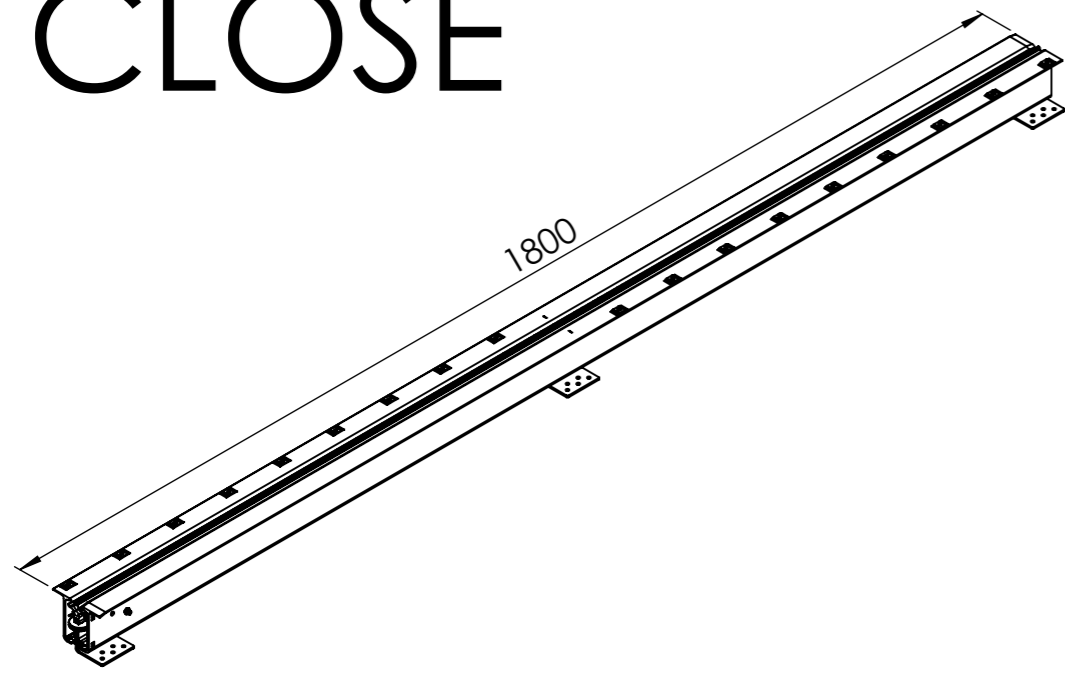
DETAIL A  
MAßSTAB 1 : 2

metal ball-retainer: 5 segments  
opening: ca. 3113 mm

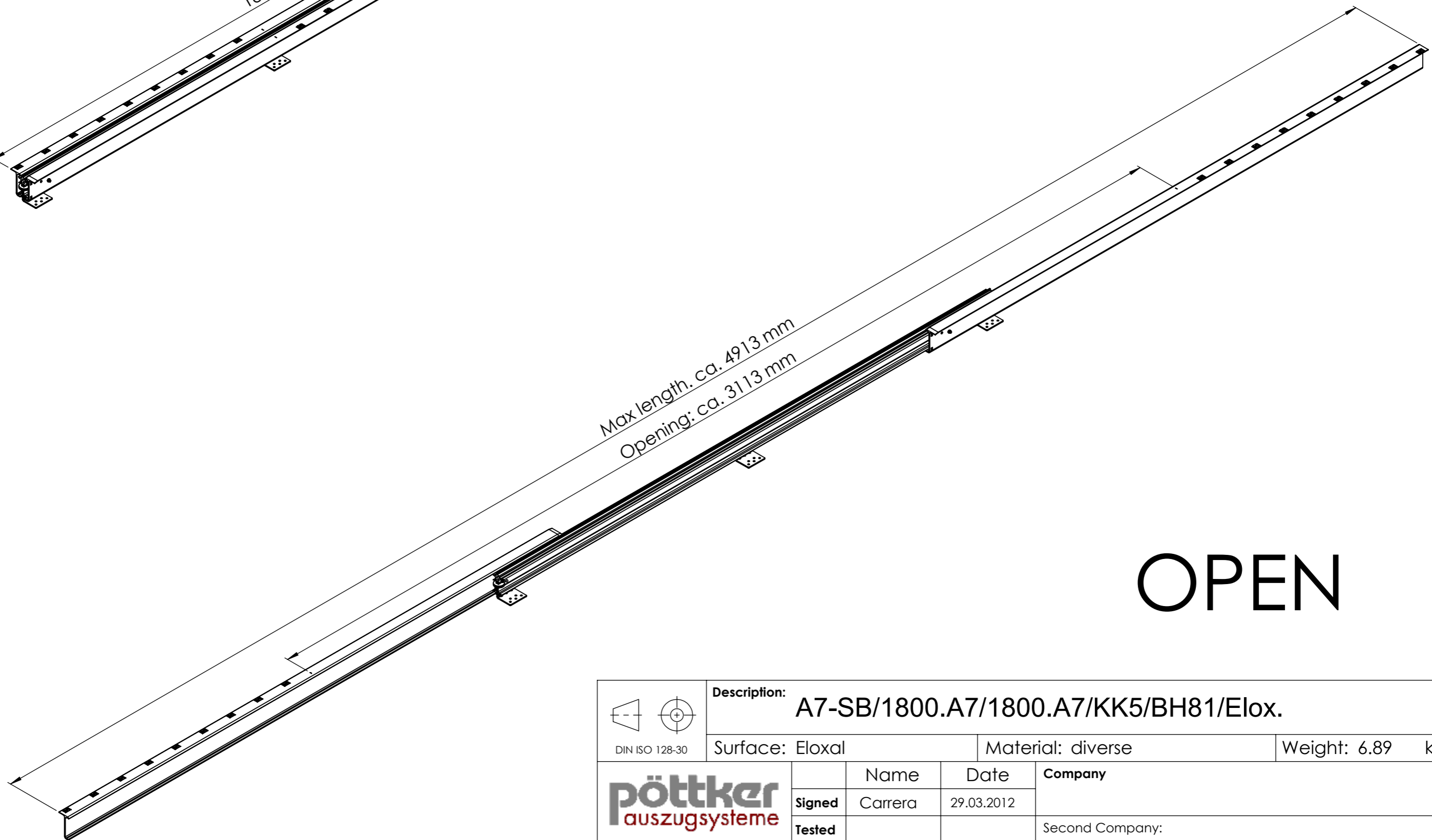
Index	Change			Date	Name
 DIN ISO 128-30	Description: <b>A7-SB/1800.A7/1800.A7/KK5/BH81/Elox.</b>				
	Surface: Eloxal		Material: diverse		Weight: 6.89 kg
	Signed	Name	Date	Company	
	Tested	Carrera	29.03.2012	Second Company:	
General tolerance: DIN ISO 2768 -1		Item No:	<b>77180711</b>	Scale 1:6	Page 1/3

All property rights and rights to exploitation of copyright for this drawing data remain ours; they may not be made available to third parties without our consent.

# CLOSE

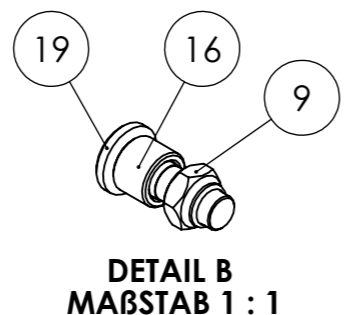
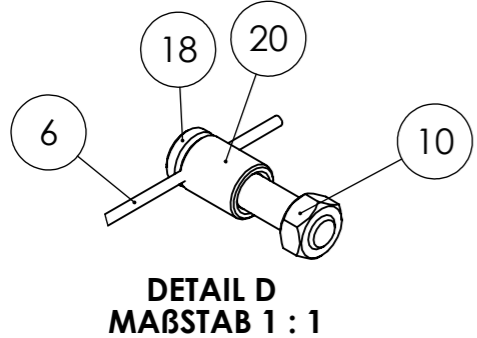
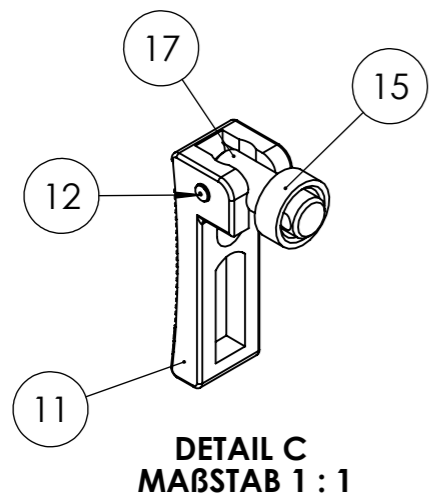
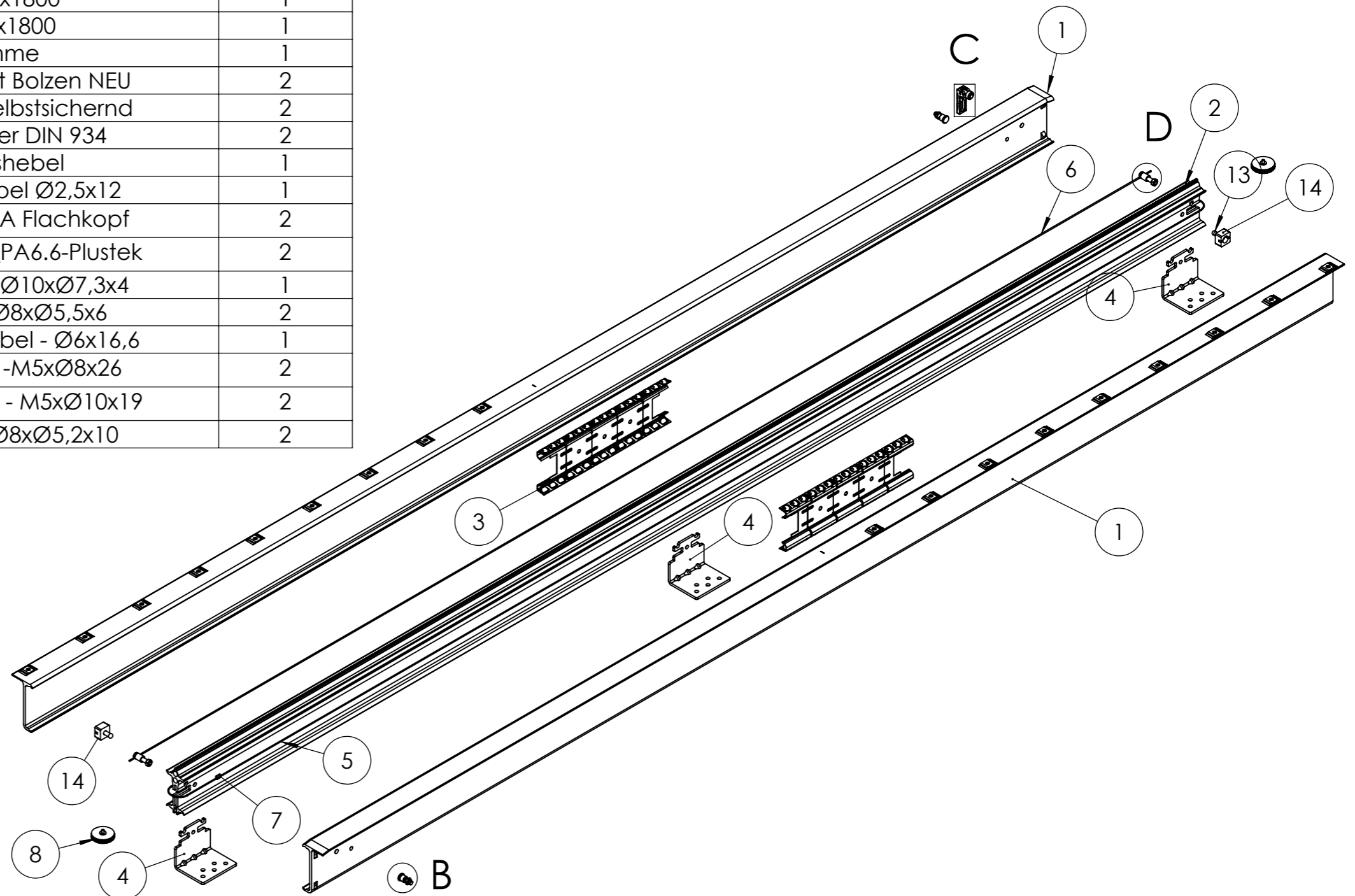


# OPEN



 DIN ISO 128-30	<b>Description:</b> A7-SB/1800.A7/1800.A7/KK5/BH81/Elox.				
	Surface: Eloxal		Material: diverse		Weight: 6.89 kg
	Name	Date	Company		
	Signed	Carrera	29.03.2012	Second Company:	
	Tested				
General tolerance: DIN ISO 2768 -1		Item No: <b>77180711</b>	Scale 1:10	Page 2/3	<b>A3</b>

POS.	Art.-Nr.	Artikelbezeichnung	Mengex2
1	78180111	AP-A7-SB/1800.A7/Typ01/9x1,5/AK/Elox.	2
2	78180602	MP-A7-S/1800.A7/A-M-A/Elox.	1
3	78990336	KK77_5_Al-Al_Elox	2
4	22005501	Fußwinkel / 54x50	3
5	15000	Drahtseil Ø1,25x1800	1
6	15105	Bremseil Ø1,5x1800	1
7	12001	Alu-Pressklemme	1
8	15106	Umlenkrolle Kombi mit Bolzen NEU	2
9	15021	M5, Mutter DIN 985, selbstsichernd	2
10	15334	M5, Sechskantmutter DIN 934	2
11	15004	Kunststoffbremshebel	1
12	15005	Kerbstift für Bremshebel Ø2,5x12	1
13	15183	Blindniet Ø5x18 Form A Flachkopf	2
14	16053	Würfelstopp-16x10x16_PA6.6-Plustek	2
15	14015	E23, Distanzscheibe - Ø10xØ7,3x4	1
16	14020	E42, Distanzhülse - Ø8xØ5,5x6	2
17	14056	E56_2, Bolzen Bremshebel - Ø6x16,6	1
18	14027	E58, Spannschraube -M5xØ8x26	2
19	14068	E65_2, Spannschraube - M5xØ10x19	2
20	14034	E70_1, Distanzhülse Ø8xØ5,2x10	2



 DIN ISO 128-30	Description: <b>A7-SB/1800.A7/1800.A7/KK5/BH81/Elox.</b>		
	Surface: Eloxal	Material: diverse	Weight: 6.89 kg
	Name	Date	Company
	Signed	Carrera	29.03.2012
Tested			Second Company:
General tolerance: DIN ISO 2768 -1	Item No: <b>77180711</b>	Scale 1:6	Page 3/3 <b>A3</b>

All property rights and rights to exploitation of copyright for this drawing data remain ours; they may not be made available to third parties without our consent.